

ET NICE RX2 - MICRO

ET BLU Mix[®] Enhanced rolling code receiver.

Power supply:	11 – 15mA @ 5 – 30v DC.
Channels:	2 x FET outputs.
Current limiting on output:	400mA. Both combined.
Memory capacity:	31 users.
Frequency:	433.92MHz. ICASA: T/A-2017/2118



Navigation of menu:

The menu cannot be accessed if either output is latched on! LED flashes rapidly if an output is latched on while trying to access the programming.

Press and release the **PRG Button** to advance through the menu options. The menu will loop back to option 1 on the fifth **PRG Button** press. To exit programming, wait 30sec or power cycle the receiver.

Menu Options:

1. **Pair** a transmitter channel code, **to channel 1.** (LED will **flash once** every 3sec)
2. **Pair** a transmitter channel code, **to channel 2.** (LED will **flash twice** every 3sec)
3. **Toggle channel 1** output between **latch and pulse.** (LED will **flash 3 times** every 3sec)
4. **Toggle channel 2** output between **latch and pulse.** (LED will **flash 4 times** every 3sec)

Pairing: (Adding user codes into memory)

1. **Press and release** the **PRG Button** once or twice to select the required channel on the **RX2-MICRO.**
2. **Begin** by **transmitting** with the **required transmitter channel. Keep transmitting!!**
3. While transmitting **press and hold** the **PRG Button.**
4. When **RX LED flashes** release the **PRG Button** and stop transmitting. (+/- 5sec)
 - **1 long flash = Successful.**
 - **3 rapid flashes = No correct TX seen.**
 - **10 rapid flashes = Memory full.**

Latch or pulse output:

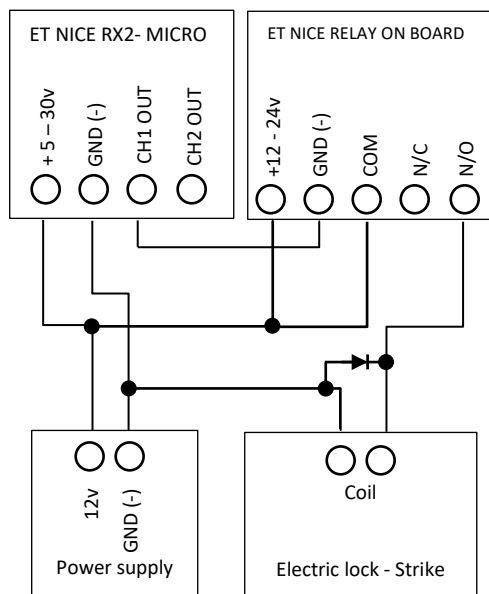
1. **Press and release** the **PRG Button** three or four times to select the desired channel on the **RX2- MICRO.**
2. While the **RX LED flashes** the **correct number of times, press and hold** the **PRG Button.**
3. When the **RX LED flashes, release** the **PRG Button.** (+/- 3sec)
 - **1 long flash = Latch mode selected.**
 - **3 rapid flashes = Pulse mode selected.**

Master erase:

1. While the **RX is powered down, press and hold** the **PRG Button.**
2. While **holding** the **PRG Button, power up.**
3. **Wait** for the **RX LED to complete** the following. (+/- 15sec)
 - **"Flashing"** = Master erase is about to begin.
 - **"Static off"** = Erasing.
 - **"Static on"** = Master erase is complete.
4. **Release** the **PRG Button** and **power down.**
5. **Return power** without pressing the **PRG Button.**

Wiring example for high current or inductive loads:

NB!! Do not connect high current or inductive loads to the output of the RX MICRO outputs! Rapid flashing on the **RX LED** indicates an over current load on the output triggered.



Examples of low current and non-inductive loads that can be switched directly without a relay in circuit:

- **Alarm panel zones.**
- **Gate or garage operator control cards.**
- **LED indicators.**
- **Piezo buzzers.**