

LOOP METAL DETECTOR

(MD-99)



take control of your world

E.T.
SYSTEMS
REMOTE CONTROL SPECIALISTS

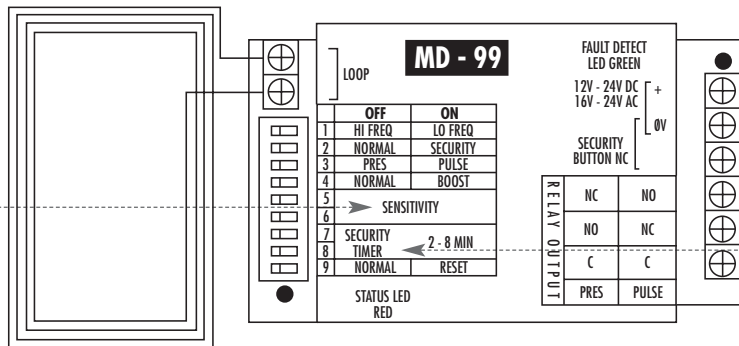
LOOP METAL DETECTOR

(MD-99)



Technical Specifications:	
Temperature range	-20°C to +70°C
Size	100 x 50 x 25 mm
Power supply requirements	12 - 24V DC @ 40mA 16 - 24V AC @ 50mA
Loop setup time	5 seconds
Cable feed length	50m Max. Normal operation 100m with reduced sensitivity

Features:	
Pulse or presence output	
Loop frequency selection	
Sensitivity boost mode for high bed trucks and trailers	
Audible test indication while setting up of loop	
Open and short circuit loop detection with built in visual and audible indication	
Security mode: Where the loop detector is controlled from an intercom button	



Sensitivity Setting:			Security Timer:		
5	6	Sensitivity	7	8	Time
Off	Off	Low	Off	Off	2 Min
On	Off	Med Low	On	Off	4 Min
Off	On	Med High	Off	On	6 Min
On	On	High	On	On	8 Min



REMOTE CONTROL SPECIALISTS

15 Nelson Road, Observatory Cape Town, South Africa
P.O. Box 34524, Groote Schuur 7937

Tel: +27 21 448 6774 • Fax: +27 21 447 7794 • e-mail: etsystems@icon.co.za • Web: www.et.co.za

technical specifications and features